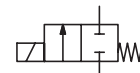




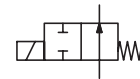
SOLENOID VALVES

direct operated
lever type, for heavy fuel oil
3/8 to 3/4

NC



NO



2/2
Series
266

FEATURES

- Forged brass bodied lever actuated valves for fuel oil no. 2, 4 (10-64 cSt), heavy fuel oil no. 5 (75-160 cSt) and heated no. 6 (90-640 cSt)
- The valves have a 1/2" NPT (bypass) connection for preheating purpose of the medium, see construction 2
- Solenoid valves have a viton seal for absolute tight shut-off or a stainless steel seating for a long life and reliable control
- The solenoid valves satisfy all relevant EU directives

GENERAL

Differential pressure See «SPECIFICATIONS» [1 bar = 100 kPa]
Maximum viscosity 10 to 640 cSt (mm²/s)
Response time 20 - 40 ms

fluids (*)	temperature range (TS)	seal materials (*)
fuel oil grade 2 & 4	-20°C to +125°C	FPM (fluoroelastomer)
fuel oil grade 5 or heated 6	-20°C to +125°C	stainless steel (303 SS)

MATERIALS IN CONTACT WITH FLUID

(*) Ensure that the compatibility of the fluids in contact with the materials is verified

	Construction 1	Construction 2
Body	Brass	Brass
Core tube	Stainless steel	Stainless steel
Core and plugnut	Stainless steel	Stainless steel
Springs	Stainless steel	Stainless steel
Seat	FPM or metal-to-metal	FPM or metal-to-metal
Seals	FPM	FPM
Disc	Stainless steel	Stainless steel
Shading coil	Copper	Copper

ELECTRICAL CHARACTERISTICS

Coil insulation class F
Connector Spade plug (cable Ø 6-10 mm)
Connector specification ISO 4400 / EN 175301-803, form A
Electrical safety IEC 335
Electrical enclosure protection Moulded IP65 (EN 60529)
Standard voltages AC (~): 24V - 48V - 115V - 230V / 50 Hz

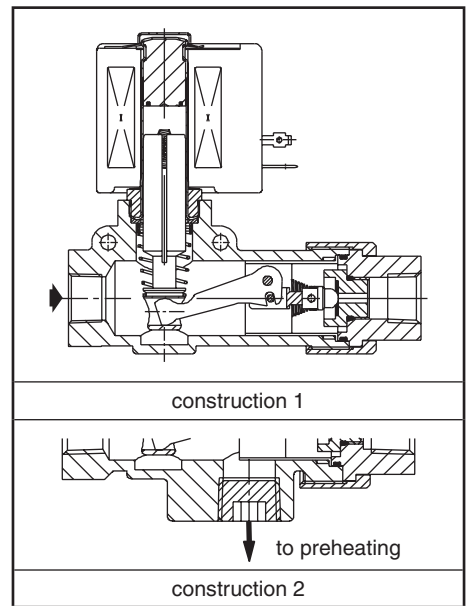
(Other voltages and 60 Hz on request)

prefix option	power ratings				operator ambient temperature range (TS) (C°)	replacement coil		type ⁽¹⁾
	inrush ~	holding ~		hot/cold =		~	=	
		(VA)	(VA)					
SC	110	33,6	15,4	-	-20 to +40	230 V/50 Hz	-	01
	240	43	20	-	-20 to +40	400525-117	-	

⁽¹⁾ Refer to the dimensional drawings on the following page.

SPECIFICATIONS

pipe size	orifice size	flow coefficient Kv		operating pressure differential (bar)				power coil (W)		catalogue number	
				min.	max. (PS)		FPM (suffix V)			metal-to-metal (suffix L)	
					fuel oil grade 2 & 4 (*)	fuel oil grade 5 or heated 6 (*)					~
NPT	(mm)	(m ³ /h)	(l/min)								
NC - Normally closed, 2 port version (construction 1)											
3/8	3,2	0,3	1,5	0	28	25	15,4	-	SCB266D001V	SCB266D001L	
	4,8	0,6	10	0	14	12	15,4	-	SCB266D007V	SCB266D007L	
	4,8				21	17	20	-	SCB266D011V	SCB266D011L	
	6,4	1	16,6	0	8	7	15,4	-	SCB266D023V	SCB266D023L	
1/2	3,2	0,3	1,5	0	28	25	15,4	-	SCB266D047V	SCB266D047L	
	4,8	0,6	10	0	14	12	15,4	-	SCB266D053V	SCB266D053L	
					21	17	20	-	SCB266D057V	SCB266D057L	
					12	10	15,4	-	SCB266D061V	SCB266D061L	
	6,4	1	16,6	0	8	7	15,4	-	SCB266D069V	SCB266D069L	
	8	1,5	25	0	5	5	15,4	-	SCB266D077V	SCB266D077L	
	9	2,1	35	0	3	2	15,4	-	SCB266D085V	SCB266D085L	
NC - Normally closed, 3 port version, one bypass port (construction 2)											
1/2	3,2	0,3	1,5	0	45	42	20	-	SCB266C203V	SCB266C203L	
	6,4	1	16,6	0	12	11	20	-	SCB266C215V	SCB266C215L	
	8	1,5	25	0	8	7	20	-	SCB266C219V	SCB266C219L	
					6	5	20	-	SCB266C223V	SCB266C223L	
3/4	6,4	1	16,6	0	12	11	20	-	SCB266C239V	SCB266C239L	
	8	1,5	25	0	8	7	20	-	SCB266C243V	SCB266C243L	
					5	5	20	-	SCB266C247V	SCB266C247L	



SPECIFICATIONS

pipe size	orifice size	flow coefficient Kv		operating pressure differential (bar)			power coil (W)		catalogue number	
				min.	max. (PS)				FPM (suffix V)	metal-to-metal (suffix L)
					fuel oil grade 2 & 4 (*)	fuel oil grade 5 or heated 6 (*)				
NPT	(mm)	(m³/h)	(l/min)		~	~	~	=	~	~
NO - Normally open, 2 port version (construction 1)										
3/8	3,2	0,3	1,5	0	29	28	15,4	-	SCB266D101V	SCB266D101L
	4,8	0,6	10	0	11	10	15,4	-	SCB266D107V	SCB266D107L
	6,4	1	16,6	0	6	5	15,4	-	SCB266D123V	SCB266D123L
1/2	4,8	0,6	10	0	11	10	15,4	-	SCB266D153V	SCB266D153L
	5,2	0,7	11,6	0	9	9	15,4	-	SCB266D161V	SCB266D161L
	6,4	1	16,6	0	6	5	15,4	-	SCB266D169V	SCB266D169L

OPTIONS

- Waterproof enclosure with embedded screw terminal coil according to protection class IP67, CEE-10
- Explosionproof enclosures for use in zones 1/21-2/22, categories 2-3 to ATEX Directive 2014/34/EU (www.asco.com)
- Electrical enclosures according to "NEMA" standards are available
- Compliance with "UL", "CSA" and other local approvals available on request
- Other insulation classes (H) are available
- Other pipe connections are available on request
- Connector with visual indication and peak voltage suppression or with cable length of 2 m (www.asco.com)

INSTALLATION

- The solenoid valves must be mounted with the solenoid vertical and upright
- Solenoid valves have 2 mounting holes in body
- Pipe connection identifier is B = NPT (ANSI 1.20.3)
- Installation/maintenance instructions are included with each valve

SPARE PARTS KITS

catalogue number	spare parts kit no.	
	~	
	FPM	metal-to-metal
SCB266D001/D047/C203	C304097V	C304097L
SCB266D007/D053/D011/D057	C304098V	C304098L
SCB266D023/C215	C304099V	C304099L
SCB266D061	C304100V	C304100L
SCB266D069/C239	C304099V	C304099L
SCB266D077/C219/C243	C304101V	C304101L
SCB266D085/C223/C247	C304102V	C304102L
SCB266D101	C304103V	C304103L
SCB266D107/D153	C304104V	C304104L
SCB266D123	C304123V	C304123L
SCB266D169V	C304106V	C304106L

(1) Standard prefixes/suffixes are also applicable to kits.

ORDERING EXAMPLES:

SC	B	266	D	001	V	230V / 50 Hz
SC	B	266	D	006	L	115V / 50 Hz
SC	B	266	C	203	V	24V / 50 Hz
SC	B	266	C	203	L	230V / 50 Hz

prefix | pipe thread | basic number | voltage | suffix

ORDERING EXAMPLES KITS:

C304097 ⁽¹⁾	
C304097	V
C304102	L

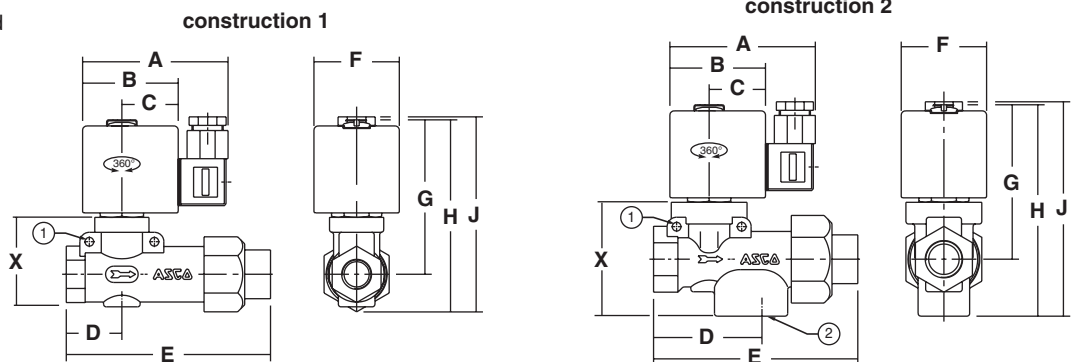
basic number | suffix

DIMENSIONS (mm), WEIGHT (kg)



TYPE 01

Prefix "SC" Solenoid
Epoxy moulded
IEC 335 / ISO 4400
IP65



type	prefix option	construction	A	B	C	D	E	F	G	H	J	X	weight ⁽²⁾
01	SC	1	86	56	33	33	119	50	90	110	111	53	1,4
		2	86	56	33	64	119	50	90	124	126	72	1,6

(2) including coil and connector.

① 2 mounting holes Ø 5,1 mm, pitch 38 mm.

② 1/2 NPT bypass connection for preheating service.