

FEATURES

- Valves for the control of gases on industrial atmospheric and forced draught burners
- All valves have been type tested to EN 161 and satisfy the Regulation (EU) 2016/426 on gas appliances
Certificate of conformity Kiwa Nederland B.V.: No. 0063AR1726
- All valves are for class A group 2 service and cover gas family 1 and 2
- Aluminium bodied valves designed to provide maximum flow
- The valves are for the control of low pressure gases compatible with the materials used
- The solenoid valves have a resilient soft seating for tight shut-off

GENERAL

Differential pressure 0 - 2 bar [1 bar = 100 kPa]
Response time 25 - 120 ms

fluids (*)	temperature range (TS)	seal materials (*)
combustible gas	-15°C to +60°C	NBR (nitrile)

MATERIALS IN CONTACT WITH FLUID

(*) Ensure that the compatibility of the fluids in contact with the materials is verified

Body	Aluminium
Core tube	Stainless steel
Core and plugnut	Stainless steel
Springs	Stainless steel
Seat	Aluminium or stainless steel
Seal, diaphragm and discs	NBR
Core guide	POM
Rider rings	PTFE
Shading coil	Copper

ELECTRICAL CHARACTERISTICS

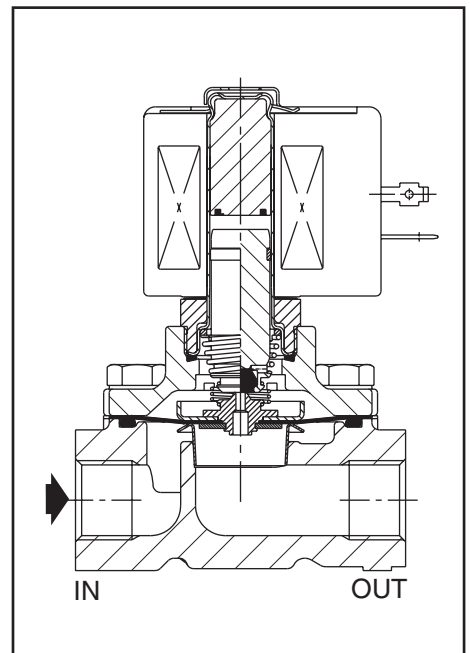
Coil insulation class F
Connector Spade plug (cable Ø 6-10 mm)
Connector specification ISO 4400 / EN 175301-803, form A
Electrical safety IEC 335
Electrical enclosure protection Moulded IP65 (EN 60529)
Standard voltages AC (~) : 24V - 48V - 115V - 230V / 50 Hz

prefix option	power ratings				operator ambient temperature range (TS) (C°)	replacement coil		type ⁽¹⁾
	inrush ~	holding ~		hot/cold =		~	=	
	(VA)	(VA)	(W)	(W)		230 V/50 Hz		
EGSC	55	23	10,5	-	-15 to +60	400425-117	-	01

⁽¹⁾ Refer to the dimensional drawings on the following page.

SPECIFICATIONS

pipe size	orifice size	flow coefficient Kv		operating pressure differential (bar)				power coil (W)		catalogue number
				min.	max. (PS)		gas (*)			
					~	=				
Rp	(mm)	(m³/h)	(l/min)							
NC - Normally closed										
3/8	19	2,9	48,3	0	2	-	10,5	-	EGSCE215B010	
1/2	19	3,8	63,3	0	2	-	10,5	-	EGSCE215B020	



OPTIONS

- Mounting brackets, suffix MB
- Connector with visual indication and peak voltage suppression or with cable length of 2 m (www.asco.com)

INSTALLATION

- The solenoid valves can be mounted in any position without affecting operation
- Pipe connection identifier is E = Rp (ISO 7/1)
- Installation/maintenance instructions are included with each valve

SPARE PARTS KIT

catalogue number	spare parts kit no.		mounting bracket no.
	~	=	
EGSCE215B010	C131447	-	038713-000
EGSCE215B020	C131447	-	038713-000

- Not available.

ORDERING EXAMPLES:

EGSC	E	215	B	010	230V / 50 Hz
EGSC	E	215	B	020	115V / 50 Hz

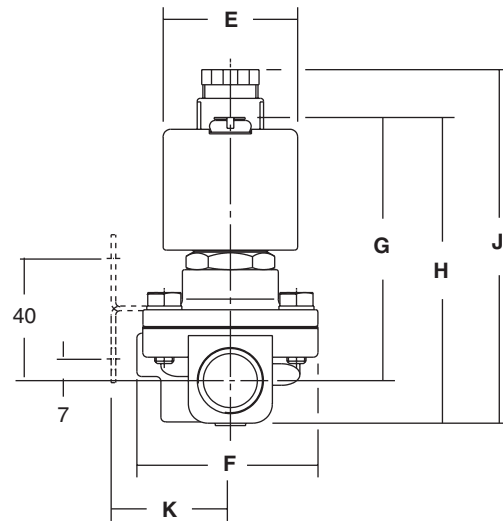
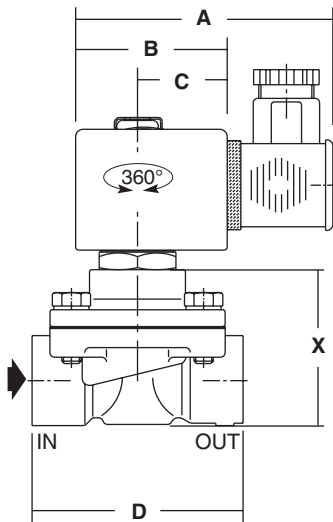
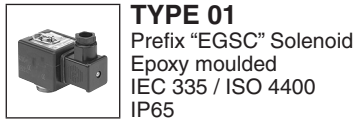
prefix — pipe thread — basic number — voltage — suffix

ORDERING EXAMPLES KITS:

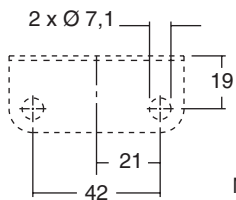
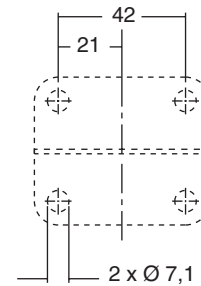
C131447

basic number —

DIMENSIONS (mm), WEIGHT (kg)



Mounting bracket



Mounting bracket

type	prefix option	A	B	C	D	E	F	G	H	J	K	X	weight ⁽¹⁾
01	EGSC	85	50	30	70	45	60	85	100	117	41	50	0,6

⁽¹⁾ including coil and connector.